

HES® KS100 Series Server Cabinet Lock

Wireless server cabinet lock
with Aperio® technology



Designed to integrate seamlessly with existing access control systems and protect critical assets from intrusion and expensive downtime.

Designed to install easily on most swing handle server cabinet doors, the HES KS100 comes standard with locked state monitoring and utilizes an SFIC (Small Format Interchangeable Core) mechanical key override. An optional extended DPS monitoring sensor can be connected to ensure that the cabinet is closed, locked and secure.

The HES KS100 supports HID multiCLASS SE® contactless credentials and uses local wireless communication between the lock and an Aperio hub to provide real-time monitoring and managed access to server cabinet doors that protect against malicious attacks or tampering

Features

Standard Features

- For use with cam-activated swing handle server cabinet applications with a 150 x 25 mm lock prep
- 2.4 GHz Aperio wireless technology
- Supports HID multiCLASS SE® card technologies
- Integrates with existing access control systems and ID badges
- Audit trail limited by EAC system
- LEDs indicate valid/invalid entries; Red/Amber or Green/Amber
- Integrated locked state (handle), cam rotation and tamper monitoring
- Automatic relock
- Non-handed
- Black finish
- SecuriCare three-year, no fault, no questions asked warranty

Optional Features

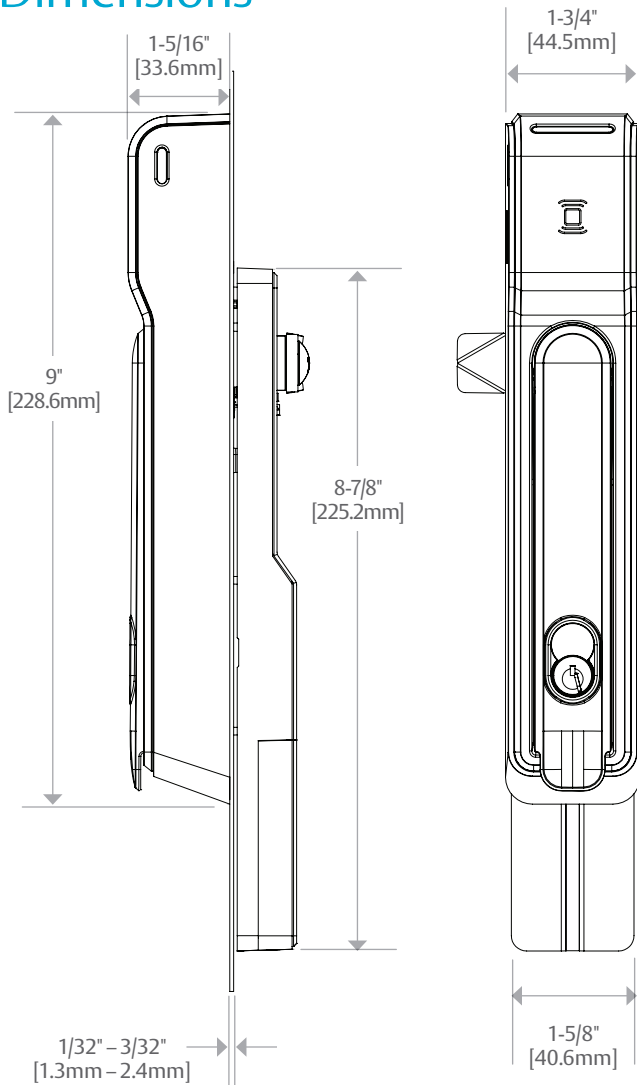
- Supports 6 or 7-pin SFIC mechanical key override (sold separately)
 - **(blank)**, NO SFIC or blank plastic core (standard)
 - **BC**, SFIC blank, black plastic core
 - **K1**, Medeco X4 SFIC Core, Keyed Differently (DGV Commercial Keyway), with 2 Keys (1 Control & 1 User Key)
 - **MK-XXXXXX**, Medeco X4 SFIC Core, Master Keyed (DGV Commercial Keyway), with 2 Keys (1 Control & 1 User Key)
- External Door Status Monitoring (KS-DPS)

Accessories

- **SFIC** Medeco X4 SFIC cylinder & 2 keys (1 control, 1 user)
- **SFIC-BC** KS SFIC blank, black plastic core
- **KS-DPS** Surface mount DPS (external)
- **KS-CAM38** CAM: 38MM-1
- **KS-CAM45** CAM: 45MM-5
- **EXT-10-ANT** Aperio Hub External Antenna (Omni-directional)



Dimensions



Specifications

Certifications

- FCC Part 15 & Industry Canada Compliant
- CE RED – Radio Equipment Directive – 2014/53/EU
- RoHS Compliant

Electrical

- Estimated Battery Life: 50,000 Cycles
- (2) "AA" lithium batteries (included)
 - AA Lithium Batteries required. Use of other types of batteries, such as alkaline, will significantly decrease battery life.
 - Battery voltage monitoring
- microUSB port for emergency power

Holding Force

- Static strength 350 lbs

Environmental

- Operating Temperature: 32° to 122°F [0° to 50°C]
- Tested to meet IP54

Card Technology HID® multiCLASS SE®

- **High Frequency (13.56 MHz)**
 - HID iCLASS®
 - HID iCLASS SE (SIO-enabled)
 - HID iCLASS® Seos™
 - HID MIFARE® SE
 - HID DESFire® EV1 SE
 - MIFARE CLASSIC
 - DESFire® EV1
- **Low Frequency (125 kHz)**
 - HID Prox®
 - AWID
 - EM4102
 - ioProx
- NFC-enabled Mobile Phones

How to Order

Series	Model	Card Technology	Color	Key Override (Optional)
KS100	-S	-IPS	-B	-K1
	S Non-Paired for Swing Handle Server Cabinet Doors (standard)	IPS HID Prox®, Kantech ioProx, HID iCLASS®, HID iCLASS SE® (SIO-enabled), HID iCLASS® Seos™, HID MIFARE® SE, HID DESFire® EV1 SE, MIFARE Classic, MIFARE DESFire EV1, NFC-enabled mobile phones	B Black	<ul style="list-style-type: none"> – (Blank) No SFIC or Blank Plastic Core (standard) BC SFIC blank, black plastic core K1 Medeco X4 SFIC Core, Keyed Differently (DGV Commercial Keyway), with 2 Keys (1 Control & 1 User Key) MK-XXXXXX Medeco X4 SFIC Core, Master Keyed (DGV Commercial Keyway), with 2 Keys (1 Control & 1 User Key)